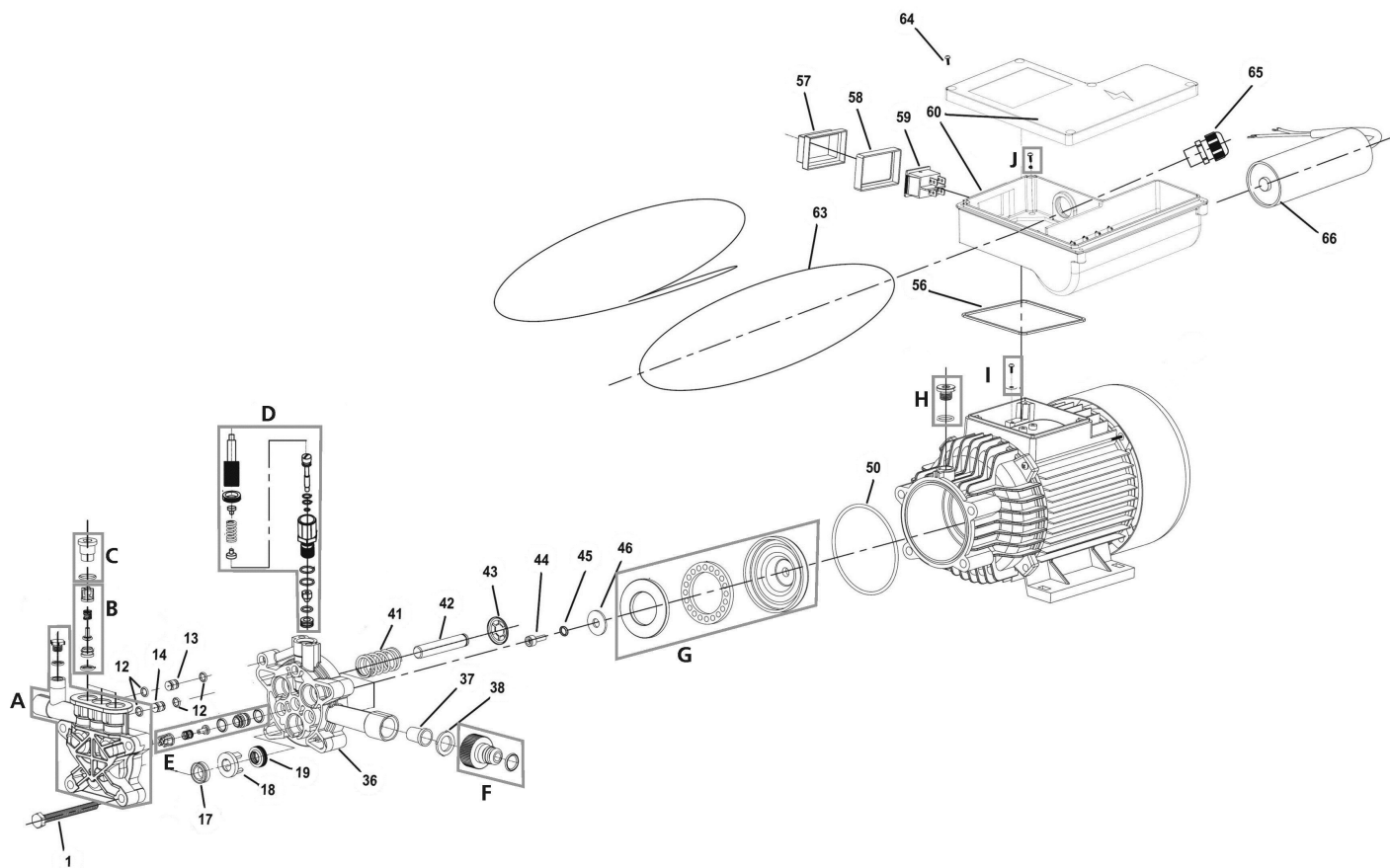


RP PRO III base unit
No. 61185

dated: 04/15

Item no.	Description	Article no.	Old article no.	Quantity
1	Distributor	V12100100	V121001	1
2	Screw M4x8 mm DIN 7985	F86282	F86282	2
3	Nylon-seal	211001200	2110012	1
4	Back cover	V12100400	V121004	1
5	Front panel	V12100500	V121005	1
6	Motor feet	V12100600	V121006	4
7	Output adapter	V12100700	V121007	1
8	Cable cover	V12100800	V121008	1
9	Housing	V12100900	V121009	1
10	Axle of the stop valve	V12101000	V121010	1
11	Axle of the valve	V12101100	V121011	1
12	Connect coupling 3/4" GRANEL	FF70061	D860800	1
13	Screw TP88 Z 3X10	V12101300	V121013	22
14	Tap connector 3/4"	D86260000	-	1
15	Hand wheel of V1	R17053700	R170537	2
16	Hose connection	V12101600	V121016	1
17	Screw M5x25 DIN-7985	V12101700	8340025	4
18	Tooth Lock DIN-6798A P/M5	R18104000	R181040	4
19	General switch	R18202900	182029	1
20	Pressure hose	V12102000	V121020	1
21	Motor	V12102100	V121021	1
22	Washer safety 10	V12102200	V121022	4
23	Flexible flush pipe	V12102300	V121023	1
24	Pipe glands	V12102400	V121024	1
25	Nut pipe glands	V12102500	V121025	1
26	Same bend female-male 1/8"	R18203300	182033	1
27	Sliding block	V12102700	V121027	4
28	Motor limit stop	V12102800	V121028	4
29	Lock washer, retaining washer 7 DIN-6799	F85252	F85252	4
30	Seal, gasket	V12103000	V121030	4
31	Glycerin field pressure gauge	V12103100	V121031	1
33	Screw cap	V12103300	V121033	1
34	Front cover	V12103400	V121034	1
35	Hex. nut	V12103500	V121035	3
36	Locking ring	V12103600	V121036	1
37	Gasket 48,89x2,62	777002100	7770021	1
39	Power cable 2,5 Meter	V12105700	V121057	1
40	O-ring 11.3x2.4	V13002300	V130023	1
41	Chopper disk A4	F86280	F86280	2
42	Locking ring 18x1 DIN-472 INOX	V13005300	V130053	1
43	Connection angle 8 - 1/8"	V12104300	V121043	2
44	High pressure hose	V12104400	V121044	1
45	O-ring 9x3,5	V13005800	V130058	1
46	Brass washer of the axle	V13006000	V130060	2
51	Sliding block complete (Pos. 27+28+29)	V12105100	V121051	1
52	Motor feet complete (Pos. 6+17+18+30)	V12105200	V121052	1
53	Distributor complete (Pos. 1+26+43+44)	V12105300	V121053	1

IMPORTANT! To assure safety and reliability, repairs, maintenance and adjustment must be preformed by ROTHENBERGER Kelkheim or authorized Service-Centers. Always use Original-Service-Parts. Order your accessories and spare parts from your specialist retailer or using our Service After Sales hotline



RP PRO III power pump
No. 61185

dated: 09/17

Item no.	Description	Article no.	Quantity
1	Bolt	V121M0100	4
12	O-ring	V121M1200	4
13	Filter	V121M1300	1
14	Bridge pipe	V121M1400	1
17	Water seal	V121M1700	1
18	Tripod plunger frame	V121M1800	1
19	Oil seal	V121M1900	1
36	Pump body	V121M3600	1
37	Entry filter	V121M3700	1
38	Inlet hose washer	V121M3800	1
41	Plunger spring	V121M4100	1
42	Axe	V121M4200	1
43	Washer	V121M4300	1
44	Hexagonal bolt	V121M4400	1
45	Washer	V121M4500	1
46	Steel washer	V121M4600	1
50	O-ring	V121M5000	1
56	Rubber gasket	V121M5600	1
57	O-ring	V121M5700	1
58	Switch protector	V121M58	1
59	Switch	V121M5900	1
60	Electric box	V121M60	1
63	O-ring	V121M63	1
64	Bolt	V121M64	5
65	Cable conector	V121M65	1
66	Capacitor	V121M6600	1
68	Cable	V121M68	1
A	Aluminun frontal frame	V121M6900	1
B	Outlet valve assy	V121M7100	1
C	Valve socket and O-ring	V121M7000	1
D	Pressure adjuster assy.	V121M7300	1
E	Inlet valve assy	V121M7200	1
F	Suction connector and O-ring	V121M7400	1
G	Bearing assy.	V121M7500	1
H	Oil tap and O-ring	V121M76	1
I	Ball and O-ring	V121M77	1
J	Ball and O-ring	V121M78	1

IMPORTANT! To assure safety and reliability, repairs, maintenance and adjustment must be preformed by ROTHENBERGER Kelkheim or authorized Service-Centers. Always use Original-Service-Parts. Order your accessories and spare parts from your specialist retailer or using our Service After Sales hotline

Tel. +49 6195 - 800 **8200**

Fax: +49 6195 - 800 **7491**

✉ service@rothenberger.com